



Luton is a combination of classic Scandinavian comfort and design. This sofa line is created according to the classic Danish lines and proportions.

LUTON

THECA
Danish Comfort.

COMBINATIONS

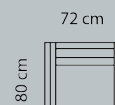
LUTON 3331
 Legs:
 Black wood **36003331xxxx001**
 Beech **36003331xxxx002**
 Oak **36003331xxxx003**
 Ash **36003331xxxx005**
 Metal **36003331xxxx020**



LUTON 2221
 Legs:
 Black wood **36002221xxxx001**
 Beech **36002221xxxx002**
 Oak **36002221xxxx003**
 Ash **36002221xxxx005**
 Metal **36002221xxxx020**



LUTON 1111
 Legs:
 Black wood **36001111xxxx001**
 Beech **36001111xxxx002**
 Oak **36001111xxxx003**
 Ash **36001111xxxx005**
 Metal **36001111xxxx020**

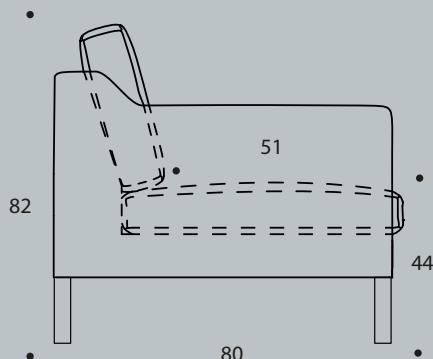


Price group	M3: 1.4		M3: 1.0		M3: 0.5	
	Wooden legs	Metal legs	Wooden legs	Metal legs	Wooden legs	Metal legs
1						
2						
3						
4						
5						
Eton w. split						
Eton						
Savoy w. split						
Savoy						
Safari						
Nature						
Century						
Valdorf						
Vintage						

03/05/2018

THECA reserves the right to modify or delete prices, products and product specifications without any prior notice. THECA has no liability for any errors or omissions in the materials. All weights and measures shown are best approximations.

DIMENSIONS



COMFORT

Seatcushion:

Cold cut foam with feather mix (HR) 32 KG.

Backcushion:

Feather and foam mix.

Seatframe:

All structural parts are made of solid wood with Nozag springs.

Backframe:

Solid wood, particle board and foam.

DESIGN ELEMENTS

3 Combinations

Available in fabric and leather

HOW TO DESIGN

1. Choose comfort 3600
2. Choose combination
3. Choose fabric or leather
4. Choose legs

LEGS



H: 20 cm

Black wood 001



H: 20 cm

Beech 002



H: 20 cm

Oak 003



H: 20 cm

Ash 005



H: 20 cm

Metal 020