

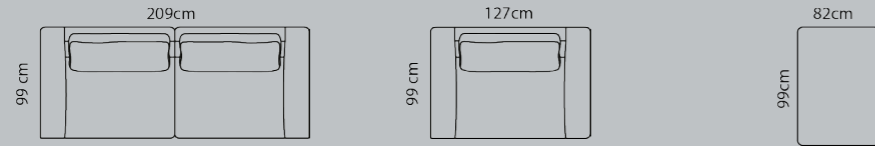
SAMONE

Samone is the ultimate modern fashion statement. The oval and organic shapes offer multiple seating options. Loose back cushions with a feather-foam mix provide a cosy look and feel, and you can place the back cushions as you like. Samone further offers great seat depth, due to the feather-foam mix for excellent comfort. So, if you want a stylish and modern sofa with great comfort, Samone is the way to go.



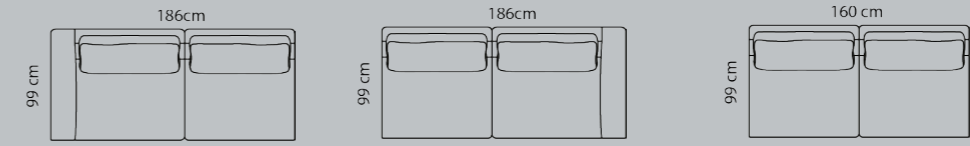
SAMONE

2-seater **2221** 1-seater **1111** Foot rest **1710**



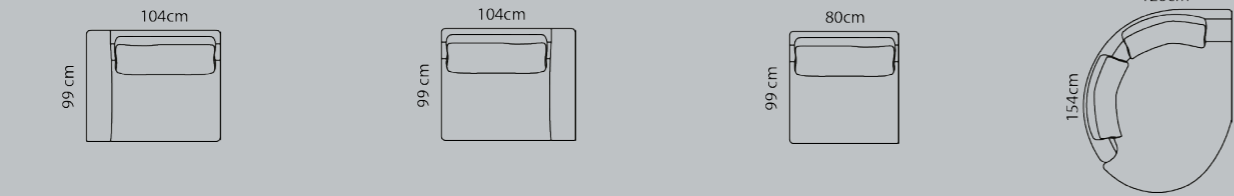
Price group	M3: 1,42 2,5-seater with arms	M3: 0,87 1,5-seater with arms	M3: 0,33 Foot rest
1			
2			
3			
4			
5			

2-seater **Arm Left** **2210** 2-seater **Arm Right** **2205** 2-seater **NO arms** **2200**



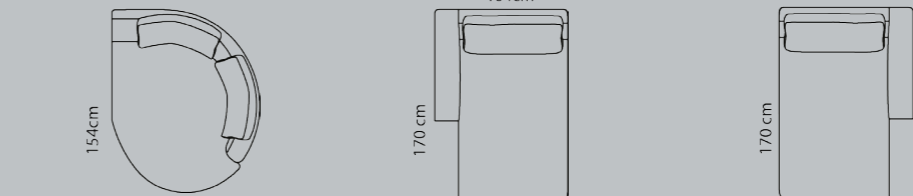
Price group	M3: 1,27 2,5-seater, arm left	M3: 1,27 2,5-seater, arm right	M3: 1,12 2,5 seater NO arms	Price group
1				1
2				2
3				3
4				4
5				5

1-seater **Arm Left** **1110** 1-seater **Arm Right** **1105** 1-seater **NO arms** **1100** Round chaiselong **Left** **1810**



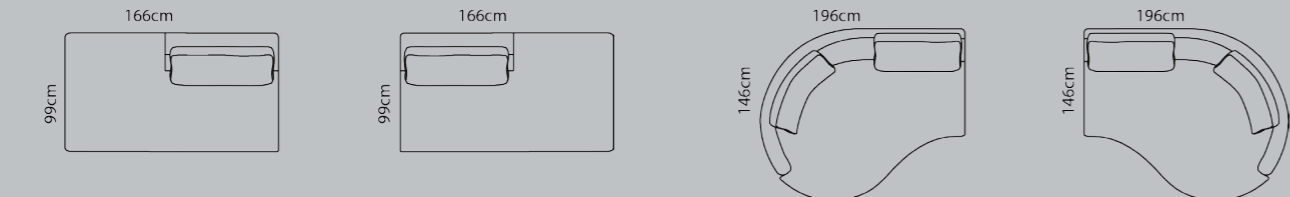
Price group	M3: 0,71 1,5-seater, arm left	M3: 0,71 1,5-seater, arm right	M3: 0,58 1,5-seater NO arms	M3: 1,30 Round chaiselong Left
1				
2				
3				
4				
5				

Round chaiselong **Right** **1805** Chaiselong, arm **Left** **1820** Chaiselong, arm **Right** **1815**



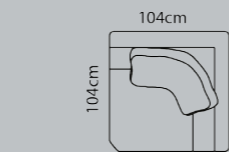
Price group	M3: 1,30 Round chaiselong Right	M3: 1,22 Chaiselong, arm Left	M3: 1,22 Chaiselong, arm Right	Price group
1				1
2				2
3				3
4				4
5				5

Open-end, **Left** **1410** Open-end, **Right** **1405** 1,5 seater **Round Left** **1510** 1,5 seater **Round Right** **1505**



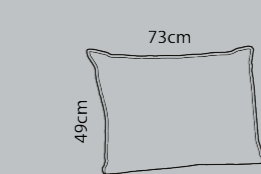
Price group	M3: 1,14 Open-end, Left	M3: 1,14 Open-end, Right	M3: 1,89 1,5 module	M3: 1,89 1,5 module
1				
2				
3				
4				
5				

Comer **1630**



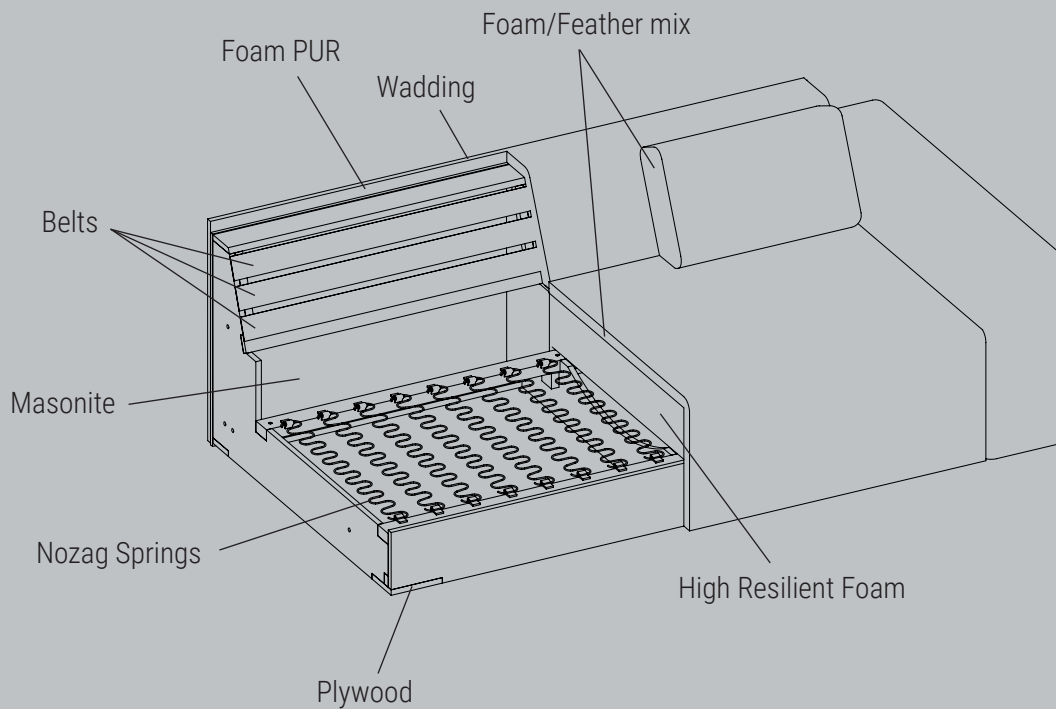
Price group	M3: 0,75 Comer
1	
2	
3	
4	
5	

Cushion **1000043**



Price group	M3: 0,08 Seperate back cushion	Price group
1		1
2		2
3		3
4		4
5		5

COMFORT



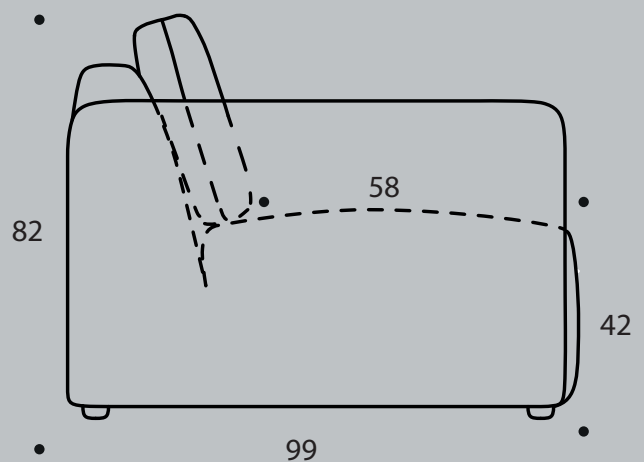
DESIGN ELEMENTS

18 modules
Available in fabric

HOW TO DESIGN

1. Choose design 339
2. Choose combination
3. Choose fabric
4. Legs included

DIMENSIONS



THECA A/S - WWW.THECA.DK