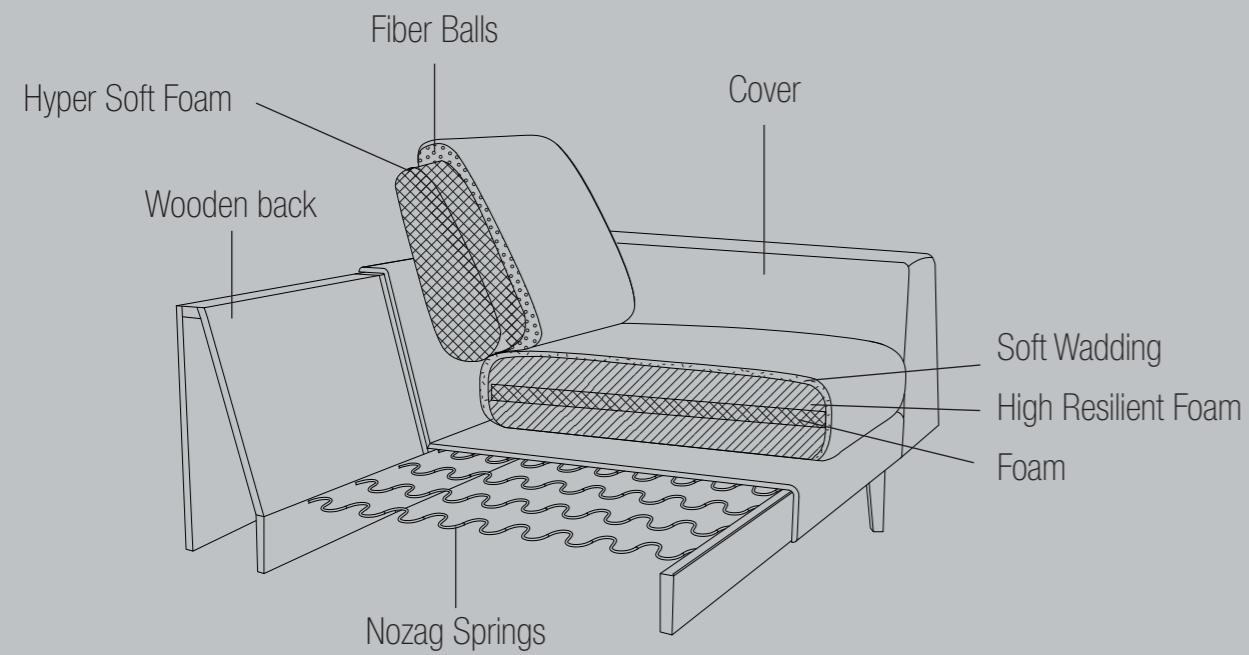
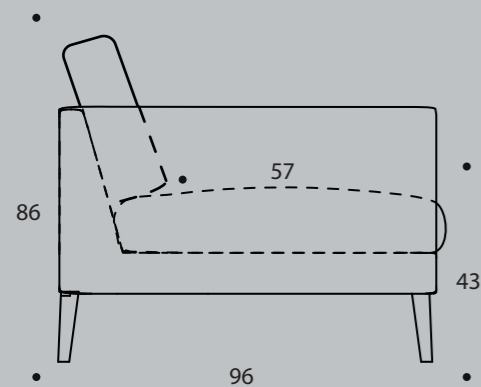


COMFORT



DIMENSIONS



DESIGN ELEMENTS

11 Combinations
Available in fabric

HOW TO DESIGN

1. Choose design 151
2. Choose combination
3. Choose fabric
4. Legs included

LEGS

Materiel: Steel
Surface: Black
Height: 17 cm

VALENZA



Valenza is designed for those who love comfort and modern design. The unique design of the arm, that changes shape from the back to the front, with beautiful tailoring details - makes sure that the philosophy of Valenza is achieved; Modern design combined with a premium seating experience.

THECA A/S WWW.THECA.DK

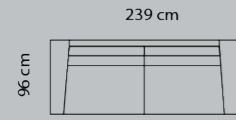
THECA reserves the right to modify or delete prices, products and product specifications without any prior notice. THECA has no liability for any errors or omissions in the materials. All weights and measures shown are best approximations. Seams and stitching can vary from fabric to leather.

www.theca.dk

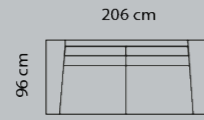
THECA
Danish Comfort.

COMBINATIONS

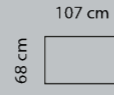
Combo shown **3221**



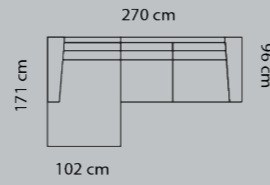
Combo shown **2521**



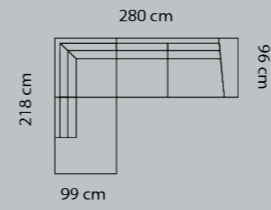
Combo shown **1760**



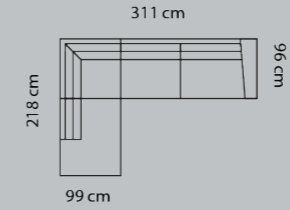
Combo shown **0031**
Combo mirrored **0041**



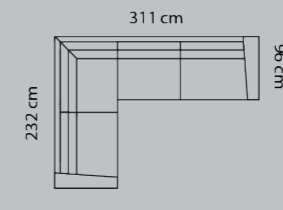
Combo shown **9121**
Combo mirrored **9131**



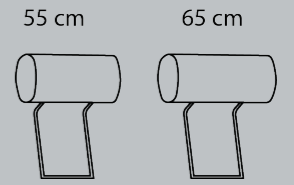
Combo shown **9161**
Combo mirrored **9171**



Combo shown **0221**
Combo mirrored **0231**



Neck rests **1601055** **1601065**



Price group

M3: 1,31 **3-seater**

M3: 1,12 **2 1/2-seater**

M3: 0,21 **Pouf**

M3: 1,72 **Chaisel.+2 1/2-seater**

M3: 2,08 **Open-end+2 1/2-seater**

M3: 2,28 **Open-end+3-seater**

M3: 2,49 **2x3-seat**

M3: 0,03

M3: 0,05

- 1
- 2
- 3
- 4
- 5

Boxes of legs incl. 2

Boxes of legs incl. 2

Boxes of legs incl. 2

Boxes of legs incl. 5

Boxes of legs incl. 5

Boxes of legs incl. 5

Boxes of legs incl. 4

With an nominal size of up to 150 cm. (width, depth, height), the tolerance may not exceed 2 cm.
Wehn larger than 150 cm., not more than 2,5 cm.